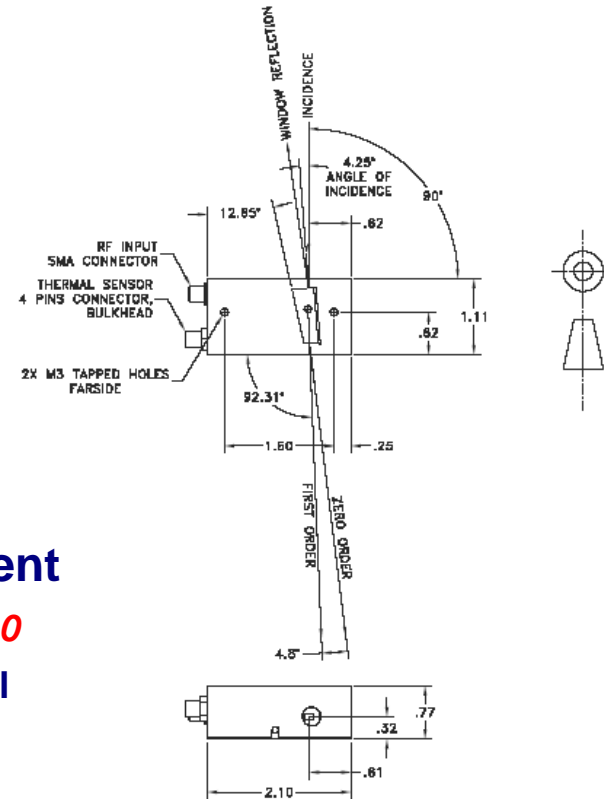


**SPECIFICATIONS**

AO Medium	TeO2
Acoustic Velocity	.68 mm/μs
Active Aperture*	2.5 mm Dia
RF Frequency Range	48-86 MHz
RF Bandpass (FWHM)	280 KHz @ 1060 nm
Wavelength Range	640-1100 nm
VSWR	2.4 :1 Max
Input Impedance	50 Ohms Nominal
Insertion Loss	3 % Max
Temperature Sensitivity	0.05 nm/C
Diffacted Beam Collinearity, min deviation	0.01 degrees
Input Optical Polarization	Vertical
Output Optical Polarization	Horizontal
Max RF Power	2 Watt

**Outline Drawing: Package 97-02986-01rC**



**Document**  
**10/18/10**  
**Control**

**Notes:**  
 Simultaneous Diffraction, multi frequency capable.  
 Random Wavelength Access Time: < 1.5 usec (1 mm Beam Diameter)  
 Max RF Power with 8 Simultaneous Frequencies = 2W  
 First and Zero Order angles shown in the outline drawing, calculated for 830nm wavelength.

**Special Testing**

Diffraction Efficiency  
(per wavelength input divergence < 2 mrad)

Min	Units	Max
90	%	

THIS DOCUMENT IS THE PROPERTY OF CRYSTAL TECHNOLOGY, INC. IT IS NOT TO BE REPRODUCED OR DISCLOSED IN WHOLE OR IN PART OTHER THAN BY EMPLOYEES CRYSTAL TECHNOLOGY AND ITS CONTRACTED REPRESENTATIVES AND DISTRIBUTERS. ANY EXCEPTION REQUIRES THE WRITTEN CONSENT OF AN AUTHORIZED REPRESENTATIVE OF CRYSTAL TECHNOLOGY.

TOLERANCES: .XX ± .01 .XXX ± .005	DR	Geri Scholz 10/7/2010	<b>Crystal Technology, Inc.</b> DESCRIPTION: <b>AOTF PCAOM N.I.R</b> 48-86MHz Vert. Pol.
MATERIAL:	CHK		
FINISH:	APP		
	APP		PART NUMBER: 97-02986-01 REV: C SHEET 1 OF 1

\*Active Aperture: Aperture over which performance specifications apply.